



A110 Series Multiturn Electric Actuators

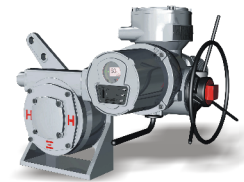
A110 series multiturn actuators are ideally used in gates, dampers and all rotary and linear valves directly or in combination with a multiturn gearbox. Automatic phase discriminators, IP68 protection class and local control unit is a standard features in A110 series actuators.

Technical Specifications

Protection Class	IP68
Power Supply	220 VAC/1Ph/50/60/Hz, 380/440/VAC/3Ph/50/60/Hz $\pm 10\%$
Control Power Supply	110/220 VAC/3Ph/50/60/Hz $\pm 10\%$
Duty Cycle (On-Off)	S2: 10 Min ~ 30 Min / S4: 20~50%
Duty Cycle (Proportional)	S4, 30~50%, 300~1200 Start/Hour
Motor	Induction Motor
Limit Switch	2 Pcs Each Open/Close (SPDT 250VAC/10A) Switches (1 pc Wet and 1 Pc Dry for Each)
Torque Switch	1 Pc Each for Open/Close (SPDT 250VAC/10A) Switches
Stall Protection (Set Temp.)	Built In Thermal Protection, Open $150^{\circ}C \pm 5^{\circ}C$, Close $97^{\circ}C \pm 15^{\circ}C$
Travel Angle	Multiturn
Position Indicator	Continuous Mechanical Indicator
Manual Override / Control	Declutchable Manual Override for Fail Position, Standard Local Control Unit
Self Locking	Provided by Double Worm Gearing
Heater	Anticondensation Heater 5W (110/220 VAC)
Cable Glands	2 x PF 1" and 1x PF1-1/2"
Lubrication	EP Type Grease
Terminal Block	Screw and Lever Push Type
Ambient Temperature	Standart Actuators : $-20^{\circ}C \sim +70^{\circ}C$ Proportional Actuators: $-10^{\circ}C \sim +60^{\circ}C$
Ambient Humidity	90%RH Max (Non Condensing)
Anti Vibration	XYZ 10g. 02~34Hz, 30 Min.
External Coating	Dry Powder Polyester Coating



Multiturn Electric Actuator With Local Control Unit



Damper Type Electric Actuator



Multiturn Electric Actuator With Local Control Unit

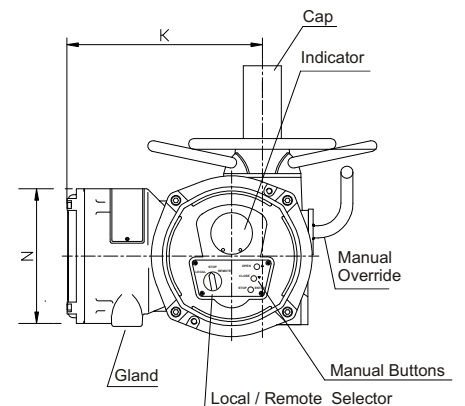
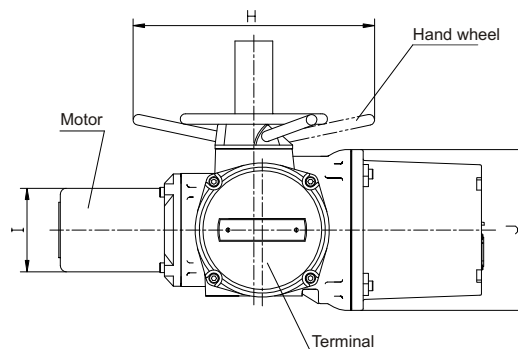
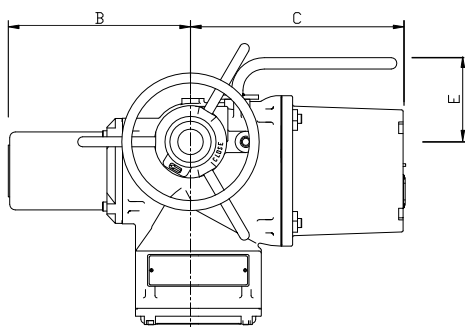
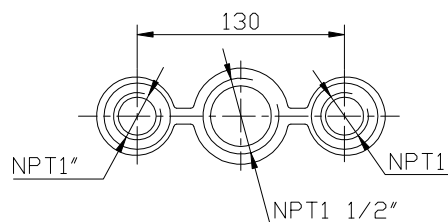


Multiturn Gear Box

Optional Accessories

Explosion Proof Type (Ex d B II T4)
Auxiliary Limit Switches (Max 2 Pcs for Each End)
Potentiometer (1 K Ohm)
RPC - 4-20 mA Remote Proportional Control Unit
Auxiliary Torque Switches (Max 2 Pcs for Each End)
4-20 mA Position Transmitter
Fieldbus Communication

Cable Gland Dimensions



A110 Series Multiturn Electric Actuators

Model	ISO5211 Top Flange	Type-A Max. (Rising Stem)	Non Rising Stem	Dimensions (mm)								RPM		Torque Output (Nm)				Weight (kg)
				A	B	C	D	E	F	G	H			380VAC		220VAC		
				On-Off	Modulating	On-Off	Modulating											
PM01	F10	32	26	257	301	119	318	110	212	177	257	18	21	45	-	-	-	32
												24	29	45	-	-	-	32
												36	43	35	-	-	-	32
												48	57	35	-	-	-	32
												72	86	35	-	-	-	32
												96	115	30	-	-	-	32
PM02	F10	32	26	257	301	119	318	110	212	177	257	18	21	80	50	-	-	32
												24	29	80	50	-	-	32
												36	43	80	50	-	-	32
												48	57	80	40	-	-	32
												72	86	45	25	-	-	32
												96	115	40	-	-	-	32
PM03	F10	32	26	257	301	119	318	110	212	177	257	18	21	110	95	65	40	32
												24	29	110	95	60	40	32
PM04	F14	38	38	354	387	121	652	134	212	177	278	18	21	250	180	165	100	52
												24	29	250	180	140	85	52
												36	43	205	125	130	80	52
												48	57	205	125	125	80	52
												72	86	160	80	100	50	52
												96	115	130	-	70	-	52
PM05	F14	38	38	354	387	121	652	134	212	177	278	18	21	450	360	-	120	52
												24	29	450	360	-	120	52
												36	43	300	240	-	90	52
												48	57	240	200	-	80	52
												72	86	180	-	-	60	52
												96	115	150	-	-	-	52
PM06	F16	54	54	352	401	119	793	145	212	177	301	18	21	600	540	400	240	75
												24	29	600	540	350	210	75
												36	43	500	300	300	180	75
												48	57	420	260	270	160	75
												72	86	350	220	200	140	75
												96	115	220	-	170	-	75
PM07	F25	64	64	483	502	183	793	190	212	177	483	18	21	1100	-	-	-	200
												24	29	1100	-	-	-	200
												36	43	780	-	-	-	200
												48	57	680	-	-	-	200
												72	86	550	-	-	-	200
												96	115	420	-	-	-	200
PM08	F30	70	70	522	502	183	440	190	214	177	522	18	21	1500	-	-	-	230
												24	29	1500	-	-	-	230
												36	43	1300	-	-	-	230
												48	57	1000	-	-	-	230
												72	86	800	-	-	-	230
												96	115	550	-	-	-	230
PM09	F30	70	70	522	502	183	440	190	214	177	522	18	21	2000	-	-	-	230
												24	29	2000	-	-	-	230
												36	43	1700	-	-	-	230
												48	57	1350	-	-	-	230
												72	86	1100	-	-	-	230
												96	115	700	-	-	-	230
PM10	F30	70	70	522	502	183	440	190	214	177	522	24	21	2500	-	-	-	230
												36	29	2500	-	-	-	230