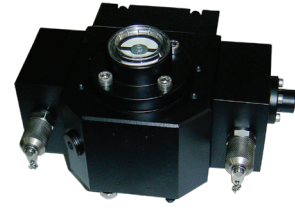
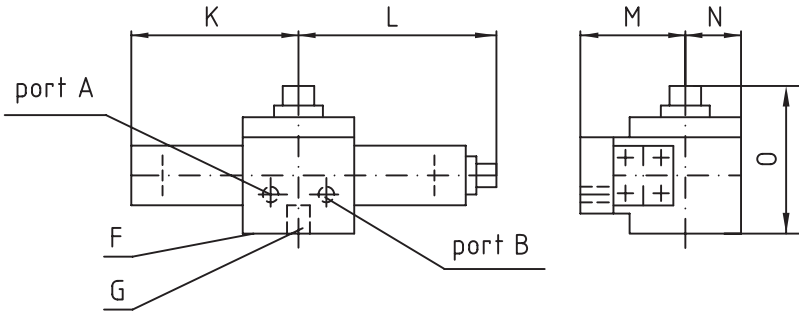




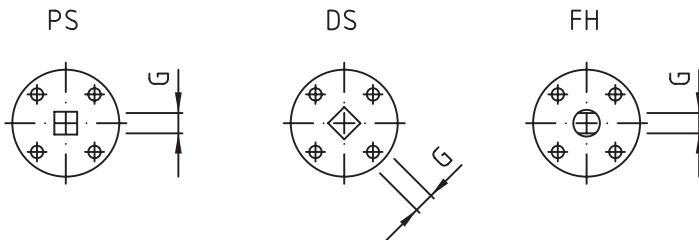
A300 Double Acting Hydraulic Actuators

Proval hydraulic actuators are used in rotary valves especially in marine applications.



Proval hydraulic actuators main specifications

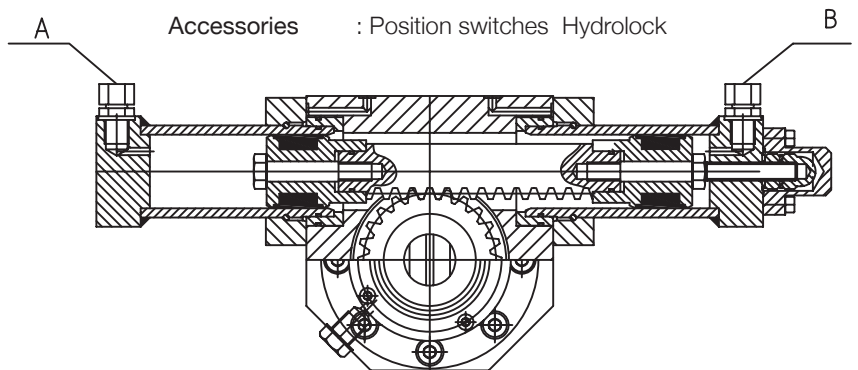
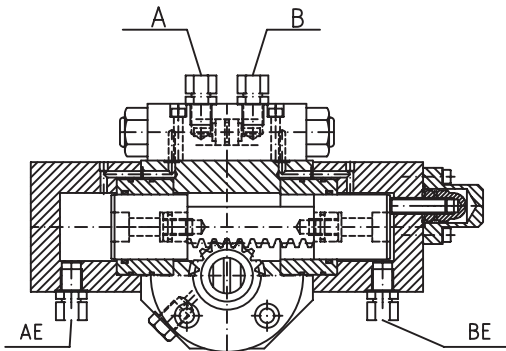
- Easy maintenance and repair
- High reliability due to basic construction
- Adjustable closed position
- Approved for marine used



Stainless Steel Hydraulic Actuator

Technical Specifications

- Working Type : Double / Single Acting
- Design Type : Rack-Pinion
- Work. Pressure : Standard 100 bar
- Travel Angle : $\pm 2^\circ$ adjustable 90°
- Assembly Type : Any Position
- Emergency Op. : Couplings for hand pump
- Accessories : Position switches Hydrolock



Dimensions (mm)

Model	K	L	M	N	O	F	Max. G			Torque Output
							PS	DS	FH	
A300PC0090	92	115	60	46	110	F05-F07	14	14	14	90 Nm
A300PC0225	121	158	71	47	130	F05-F07	17	17	17	225 Nm
A300PC0410	182	220	90	60	170	F07-F10	24	24	22	410 Nm
A300PC0640	182	220	90	60	170	F10-F12	24	24	22	640 Nm
A300PC0920	182	225	100	60	170	F12-F14	30	30	27	920 Nm
A300PC2170	220	275	115	90	195	F14-F16	40	40	40	2170 Nm