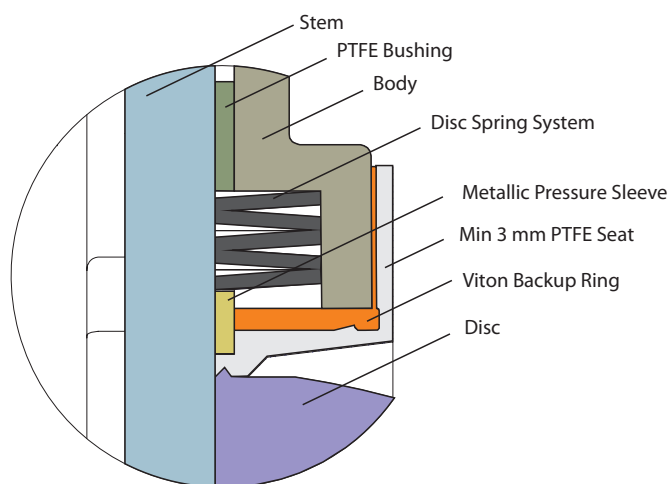
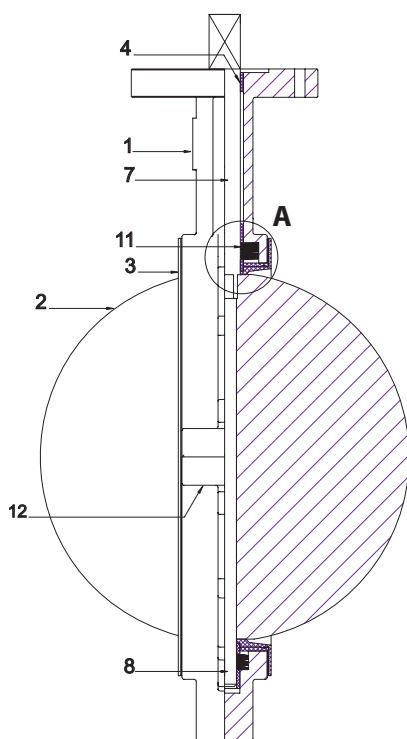


V108 Wafer / V109 Lug Type PTFE Seated Butterfly Valves

PROVAL V108 Series PTFE seat butterfly valves are of 2 pc body construction with spring loaded bearings. The superior design of PROVAL PTFE Seated Butterfly Valves are capable of providing high protection for stem sealing and ensures 100% leak free operation. V108-109 series valves are suitable for use in corrosive lines even in toxic process lines.

Fully PTFE lined valves with min 3 mm PTFE coating on disc can be used in extremely corrosive pipelines.

Design Specifications / Material List



A-A Details



PTFE Seat AISI316 Disc
Free Shaft Butterfly Valve



PTFE Seat, AISI316 Disc
Electric Act. Op. Butterfly Valve

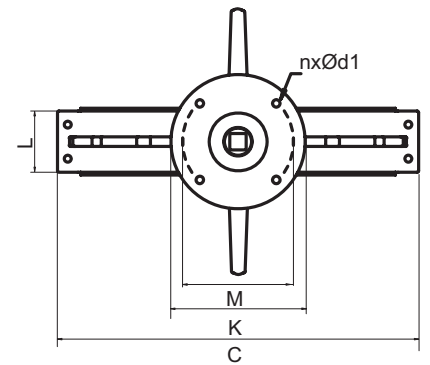
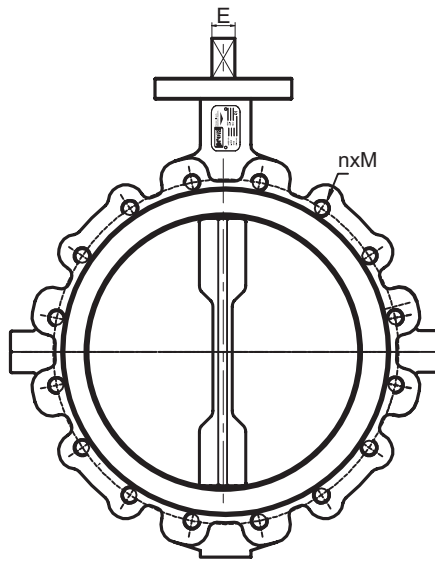
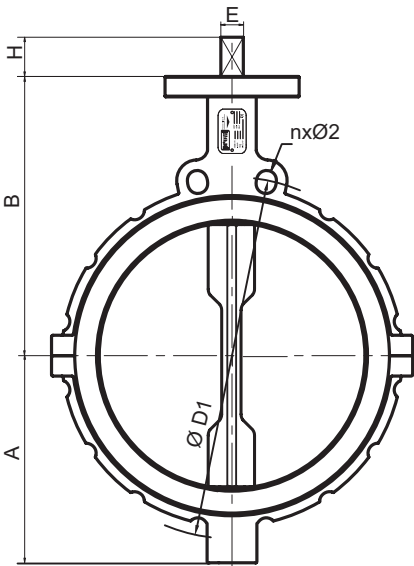
Material List

Part No	Part Name	Description of Materials
1	Body	Rilsan Coated GG25 Cast Iron
		Rilsan Coated GGG40 Ductile Iron
		AISI304 Stainless Steel
		AISI316 Stainless Steel
2	Disc	AISI316 Stainless Steel
		PTFE Lined GGG40 Ductile Iron
3	Seat	PTFE + EPDM (-30° C ~ +150° C)
		PTFE + Viton (-30° C ~ +190° C)
4/5/6	Bushing	PTFE
7	Upper Stem	AISI316 Stainless Steel
8	Lower Stem	AISI316 Stainless Steel
10	O-Ring	NBR
11	Disc Spring	Stainless Steel
12	Bolt	Stainless Steel



V108 Wafer / V109 Lug Type PTFE Seat Butterfly Valves

Dimensions (mm)



Dimensions (mm)

Size (DN)	PN10		PN16		4-Ød1	A	B	C	H	L	E	K	M
	ØD1	nxM	ØD1	nxM									
50	125	4xM16	125	4xM16	7	77	135	130	16	43	11	77	50
65	145	4xM16	145	4xM16	7	91	138	150	16	46	11	77	50
80	160	8xM16	160	8xM16	7	95	138	164	16	52	11	77	50
100	180	8xM16	180	8xM16	10	121	149	188	19	56	14	92	70
125	210	8xM16	210	8xM16	10	125	173	220	25	56	14	92	70
150	240	8xM20	240	8xM20	10	150	187	252	25	60	17	92	70
200	295	8xM20	295	12xM20	12	182	225	305	30	68	22	115	102
250	350	12xM20	355	12xM24	12	226	247	370	39	78	22	115	102
300	400	16xM20	410	12xM24	12	260	285	430	39	56	27	140	125
350	460	16xM20	470	16xM24	12	275	335	470	45	60	36	140	125
400	515	16xM24	525	16xM27	12	305	410	565	51	68	36	197	140
450	565	20xM24	585	20xM27	12	338	440	620	51	68	46	197	140
500	620	20xM24	650	20xM30	12	375	495	695	57	78	46	197	140



Pneumatic Act. Op.
PTFE Seat, AISI316 Disc
Butterfly Valve

Flow Coefficient Kv (m³/h) and Operating Torque Values (Nm)

Size (DN)	Valve Opening Angle									Operating Torques (Nm)	
	10°	20°	30°	40°	50°	60°	70°	80°	90°	0 bar	10 bar
50	0,77	4,84	11,43	15,01	19,22	27,52	39,86	52,24	57,22	16	23
65	0,87	5,23	13,37	23,35	41,92	60,48	95,81	125,75	143,71	22	32
80	3,59	14,47	23,87	35,99	60,87	97,22	143,69	194,79	201,05	30	44
100	4,41	18,26	31,94	46,90	73,65	121,27	189,25	283,32	391,59	50	77
125	10,96	23,03	41,91	79,36	129,96	214,54	351,69	521,40	610,47	75	103
150	18,14	33,22	65,82	119,87	206,08	330,89	504,14	830,26	941,90	100	120
200	36,42	61,40	147,89	253,36	432,34	669,52	1038,68	1653,41	1881,41	170	327
250	59,17	135,44	234,17	412,00	638,57	1051,99	1656,38	2766,13	3877,71	270	383
300	80,74	174,44	280,66	494,78	861,16	1459,35	2526,80	4306,87	5280,75	400	500