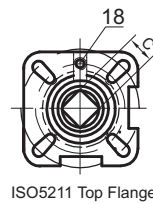
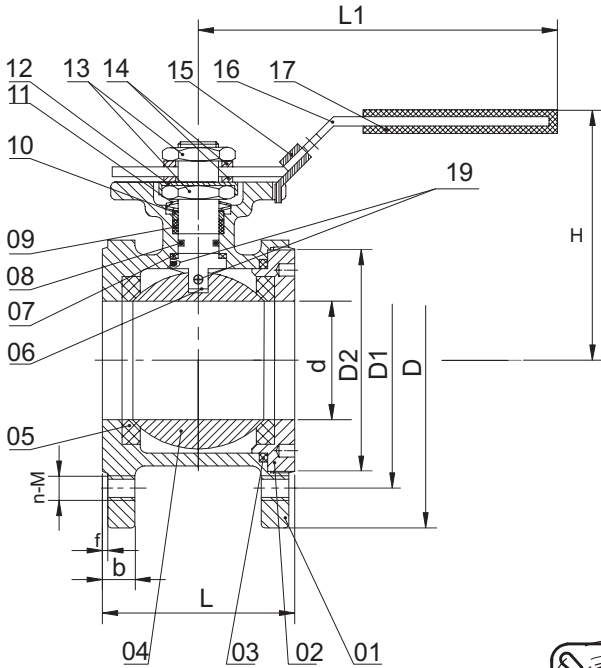


V205 Series, Wafer Type, Direct Mount Pad, Full Bore Flanged Ball Valves

Proval V205 Series ball valves are compact type short wafer body design with direct actuator mounting pad to allow easy actuation.

Proval V205 series ball valves are Bureau Veritas design approved and can be inspected according to 3.1.C to conform with marine applications.



ISO5211 Top Flange



Wafer Type Ball Valve with Heating Jacket



V205 Series Wafer Type Ball Valve

Material List

No	Part Name	Material (AISI316)	Material (A216WCB)	Qty
1	Body	AISI316	WCB	1
2	Cap	AISI316	WCB	1
3	Body Gasket	PTFE	PTFE	1
4	Ball	AISI316	AISI316	1
5	Ball Seat	PTFE	PTFE	2
6	Stem	AISI316	AISI316	1
7	Thrust Washer	PTFE	PTFE	1
8	O-Ring	Viton	Viton	1
9	Stem Packing	PTFE	PTFE	1
10	Gland Nut	AISI304	AISI304	1
11	Belleville Washer	AISI301	AISI301	2
12	Locking Washer	AISI304	AISI304	1
13	Nut	AISI304	AISI304	2
14	Washer	AISI304	AISI304	2
15	Locking Device	AISI304	AISI304	1
16	Lever	AISI304	AISI304	1
17	Handle Cover	Plastic	Plastic	1
18	Stopper Pin	AISI304	AISI304	1
19	Anti-Static Device	AISI316	AISI316	2

Dimensions (mm)

Size (DN)	d	L	D	D1	D2	b	f	H	L1	C	ISO5211 Top Flange	n-M	Torque (N.m)	Weight (Kg)
15	15	36	95	65	45	12	2	70	115	9	F03	4-M12	5	1,11
20	20	38	105	75	58	12	2	78	115	9	F03	4-M12	8	1,48
25	25	50	115	85	68	12	2	90	160	11	F04/F05	4-M12	10	1,95
32	32	53	140	100	78	14	2	100	160	11	F04/F05	4-M16	14	3,10
40	40	65	150	110	88	15	3	105	200	14	F05/F07	4-M16	18	4,18
50	50	78	165	125	102	16	3	125	200	14	F05/F07	4-M16	25	5,37
65	65	98	185	145	122	16	3	140	155	17	F07/F10	4-M16	48	8,18
80	76	118	200	160	138	18	3	145	255	17	F07/F10	8-M16	75	11,92
100	94	140	220	180	158	18	3	175	300	17	F07/F10	8-M16	110	16,92



Pneumatic Act. Op. Wafer Type Ball Valve