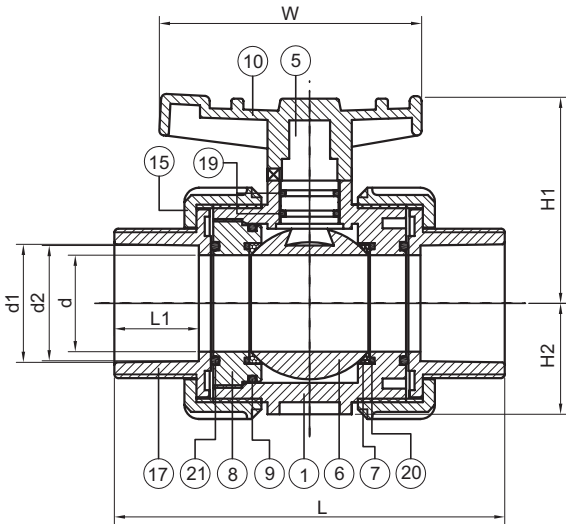
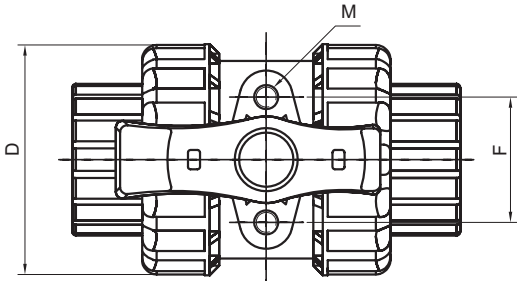




## V209 Series Socket Fusion U-PVC Ball Valves

PROVAL V209 Series U-PVC ball valves are designed for use from basic water applications to corrosive chemical applications where UPVC resists.

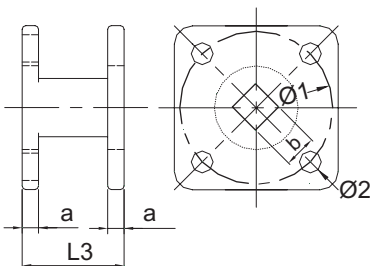
V209 series U-PVC ball valves are easy to mount actuators with their ISO5211 direct mount pad kits.



### Dimensions (mm)

Size Inch/DN	d	d1	d2	D	L	L1	W	H1	H2	F	M
1/2" (15)	15	20,3	20,1	53	104	22,5	65,8	49	24,5	31	M6
3/4" (20)	20	25,3	25,1	61	115	26	78,6	60	29,5	33	M6
1" (25)	25	32,3	32,1	71	131	30	86,7	68	34	40	M6
1 1/4" (32)	32	40,3	40,1	83	147	32	97,4	76	38	52	M6
1 1/2" (40)	40	50,3	50,1	96	164	35	108,6	85	45	52	M8
2" (50)	50	63,3	63,1	116	210	40	132	97	55	70	M8
2 1/2" (65)	65	75,3	75,1	150	240	46	150	180	70	83	M8

### Bracet & Couping Dimensions (mm) Dimensions (mm)



Size Inch/DN	b	ISO 5211	Ø2	a	L3	Torque (Nm)
1/2" (15)	9	F04	6	4,5	28	15
3/4" (20)	9	F04	6	4,5	28	21
1" (25)	11	F04-F05	7	5	50	24
1 1/4" (32)	11	F04-F05	7	5	50	33
1 1/2" (40)	11	F05	8	6	50	40
2" (50)	11	F05	8	6	50	52
2 1/2" (65)	17	F07-F10	10-12	6	70	90

Notes: Given torque figures are for liquid application at ambient temperature conditions.

### Technical Specifications,

- Fusion bonded ends
- Full bore design
- Max working pressure 10 bar
- EPDM/Viton alternative seal materials
- Direct actuator mounting st. steel bracket & couplings
- Integrated handle to adjust/remove the union bushings



### Material List

No	Part Name	Qty	Water Type	Acid Type
1	Body	1	UPVC	UPVC
5	Stem	1	UPVC	UPVC
6	Ball	1	UPVC	UPVC
7	Ball Seat	2	PTFE	PTFE
8	Threaded Spacer	1	UPVC	UPVC
10	Lever	1	ABS	ABS
15	Union Nut	2	UPVC	UPVC
17	Union End	2	UPVC	UPVC
19	Stem O-Ring	2	EPDM	VITON
9	Spacer Seal	1	EPDM	VITON
20	End Seal	2	EPDM	VITON
21	Spacer Seal	2	EPDM	VITON
22	Bracket & Coupling	1	SS304	SS304



Pneumatic Act. Op.  
PVC Ball Valve



Electric Act. Op.  
PVC Ball Valve



ISO5211 Direct Mount  
Pad PVC Ball Valve