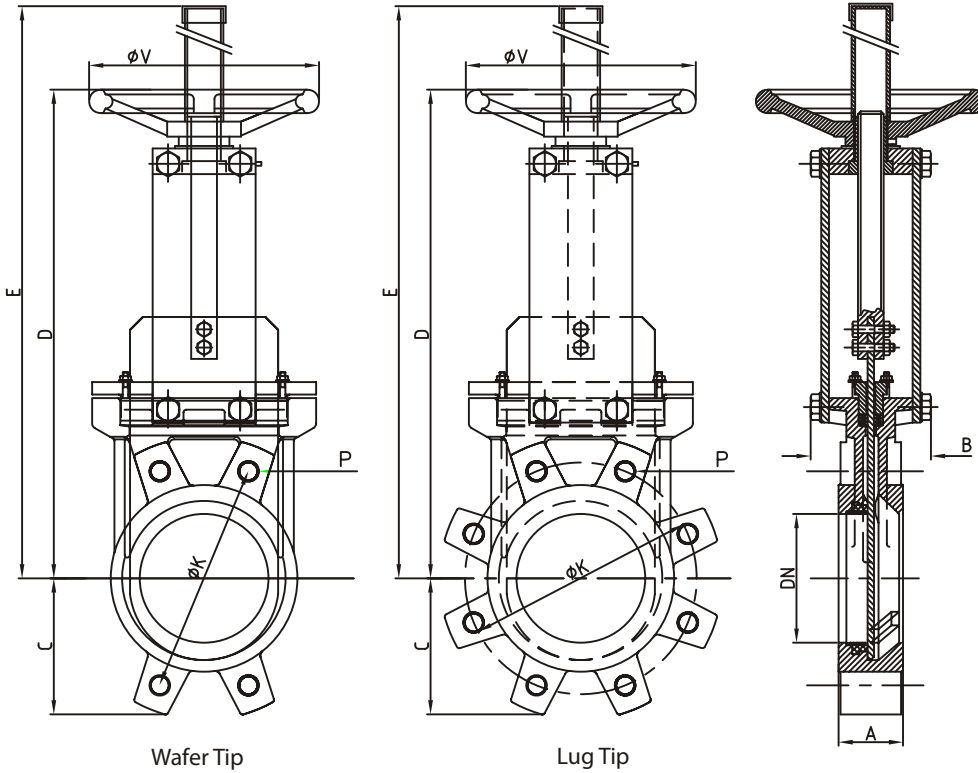




## V301 (Wafer) / V302 (Lug) Type Manual Knife Gate Valves

V301 Series Knife gate valves are used in the pulp & paper industry, water management, waste-water management, chemical, power, steel plants and other industrial applications.



Part Name	Available Material
Body	GG25 C.I
	GGG40 D.I
	WCB Steel
	AS1304
Knife/Gate	AS1304
	AS1316
Seat	Metal Seat
	EPDM
	Viton
	Silicon
Gate Seat	PTFE



### Dimensions (mm)

Size (DN)	A	B	C	D	E	ØV	Wafer Type PN10 Flange Dimensions				Lug PN10 Flange Dimensions		
							ØK	M	⊕	○	ØK	M	⊕
50	40	90	60	284	425	200	125	M16	4	-	125	M16	4
65	40	90	68	308	450	200	145	M16	4	-	145	M16	4
80	50	90	90	334	480	200	160	M16	4	4	160	M16	8
100	50	100	105	374	520	250	180	M16	4	4	180	M16	8
125	50	100	118	413	600	250	210	M16	4	4	210	M16	8
150	60	120	135	465	650	300	240	M20	4	4	240	M20	8
200	60	120	170	582	820	300	295	M20	4	4	295	M20	8
250	70	120	202	682	1020	300	350	M20	6	6	350	M20	12
300	70	120	240	782	1120	300	400	M20	6	6	400	M20	12
350	96	192	255	898	1380	400	460	M20	10	6	460	M20	16
400	100	192	295	1003	1490	400	515	M24	10	6	515	M24	16
450	106	192	318	1093	1580	500	565	M24	14	6	565	M24	20
500	110	192	345	1207	1690	500	620	M24	14	6	620	M24	20
600	110	290	405	1410	2030	500	725	M27	16	6	725	M27	20

\* Please consult with the sales department for larger dimensions and special configurations.