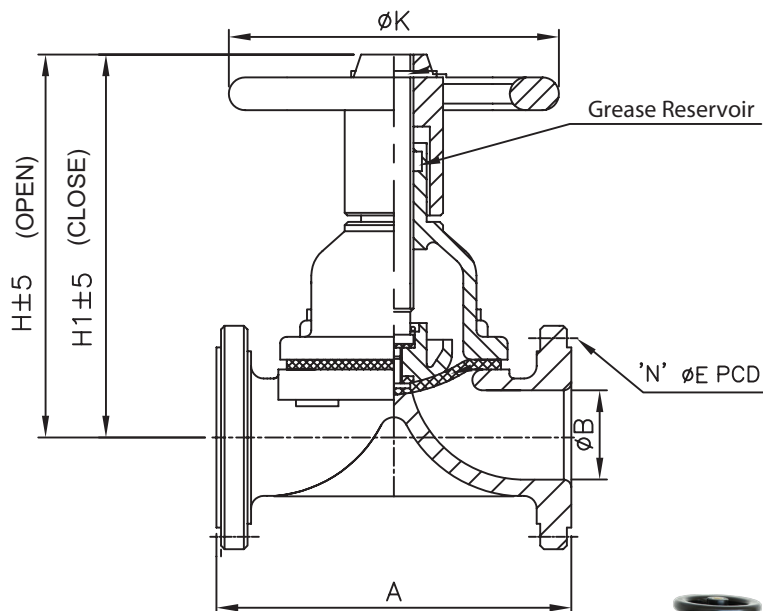


## V401 Weir Type Diaphragm Valves

V401 Weir Type diaphragm valves are available as BS5156 short and DIN3202-F1 long face to face in a wide range of body and lining materials to meet the customers requirements.



Flanged End Weir Type Diaphragm Valve



Pneumatic Act. Op. Weir Type Diaphragm Valve



ISO5211 Direct Mount Pad PVC Ball Valve

### Material List

Part Name	Available Materials
Body/Bonnet	GG25 CI
	GGG40 DI
	WCB Steel
	ASI304 SS
Diaphragm	EPDM
	NBR
	Butyl
	Viton
	Silicone
	PTFE

### Optional Features,

- Threaded End Connection
- Pneumatic Actuator Operated
- Locable Rising Hand Wheel

### Dimensions (mm)

Size (DN)	A (Unlined Body)		A (Rubber Lined Body)		ØB	ØK	H (Open)	H1 (Closed)	PN10			Weight (Kg)	
	BS5156	DIN3202F1	BS5156	DIN3202F1					PCD	ØE	Nº	BS5156	DIN3202F1
15	108	130	114	136	15	100	110,0	102,0	65	14	4	2,3	2,7
20	117	150	123	156	21	100	108,0	100,0	75	14	4	3,2	3,5
25	127	160	133	166	26	120	122,5	120,0	85	14	4	4,2	4,4
32	146	180	152	186	32	120	130,5	118,0	100	18	4	6,4	6,6
40	159	200	165	206	38	120	131,5	119,0	110	18	4	7,5	8,5
50	190	230	196	236	51	164	194,5	177,0	125	18	4	12,0	12,5
65	216	290	222	296	64	185	220,0	196,0	145	18	4	18,0	19,0
80	254	310	260	316	76	200	279,0	249,0	160	18	8	23,0	25,0
100	305	350	313	358	102	220	293,5	261,0	180	18	8	34,0	36,0
125	356	400	364	408	127	250	309,5	272,0	210	18	8	50,0	52,0
150	406	480	414	488	152	285	413,0	362,0	240	22	8	69,0	75,0
200	521	600	529	608	203	340	475,5	413,0	295	22	8	150,0	160,0
250	635	730	643	738	254	395	595,5	523,0	350	22	12	220,0	235,0
300	749	850	757	858	305	445	748,0	653,0	400	22	12	300,0	315,0