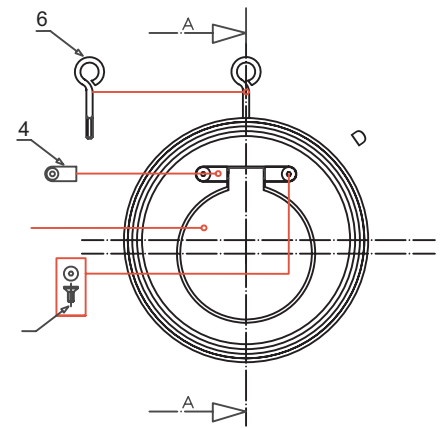
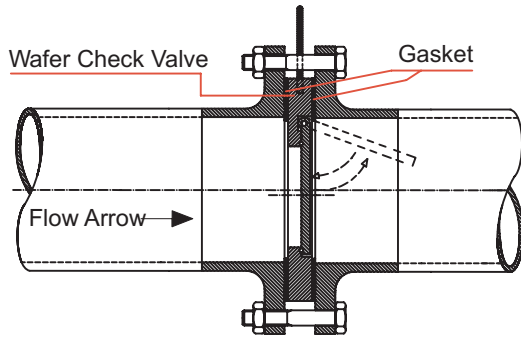




V701 Wafer Type Check Valves

Proval V701 Series wafer check valves are used to prevent the back flow in water lines, HVAC, marine and other industrial applications

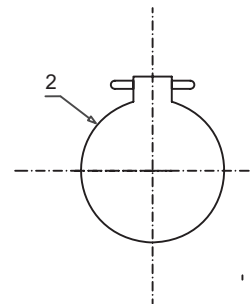


Material List

No	Part Name	Available Materials
1	Body	ASTM A105/AISI304/AISI316/AISI316L/Bronze
2	Disc	AISI316/AISI316L/Bronze
3	O-Ring Seal	EPDM/NBR/Viton/Silicon/PTFE/Bronze
4	Ear	AISI316
5	Bolt	AISI316
6	Hanger	Galvanized Steel

Dimensions (mm)

Size (DN)	A	B	C	D					Weight (Kg)
				PN6	PN10	PN16	PN25	ANSI150	
40	14	30	22	88	95	95	95	86	0,7
50	14	35	32	98	109	109	109	105	0,9
65	14	48	40	118	129	129	129	124	1,2
80	14	60	54	134	144	144	144	137	1,5
100	18	78	70	154	164	164	170	175	2,4
125	18	98	92	184	195	195	198	195	3,4
150	20	117	112	209	220	220	228	220	4,6
200	22	160	154	264	275	275	285	279	7,5
250	26	200	200	319	330	330	343	340	13,1
300	32	235	240	375	380	387	403	410	20,4
350	38	258	270	425	440	448	460	448	32,0
400	44	300	310	475	490	495	517	514	48,0
450	50	331	360	530	540	557	567	548	63,0
500	56	268	405	580	596	617	624	605	87,0
600	62	435	486	680	695	734	731	715	130,0



A-A Section

